

# DIGITRON SEMICONDUCTORS

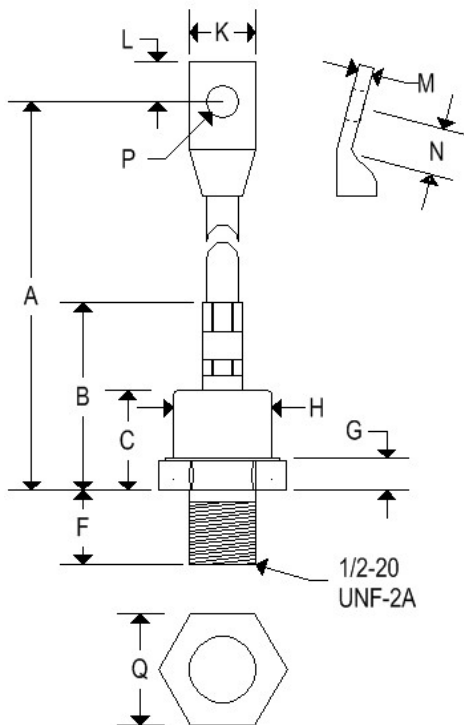
## MECHANICAL CASE OUTLINE PACKAGE DIMENSIONS

DATE 29 DEC 2017

### CASE DO-30R

STUD

|                 |                            |
|-----------------|----------------------------|
| <b>CASE</b>     | HERMETICALLY SEALED METAL  |
| <b>MARKING</b>  | ALPHA NUMERIC              |
| <b>POLARITY</b> | ANODE IS STUD (CASE)       |
| <b>WEIGHT</b>   | 85.729 GRAMS (APPROXIMATE) |



|   | DO-30R |       |             |        |
|---|--------|-------|-------------|--------|
|   | Inches |       | Millimeters |        |
|   | Min    | Max   | Min         | Max    |
| A | 4.375  | 4.625 | 111.13      | 117.47 |
| B | -      | 1.625 | -           | 41.270 |
| C | 0.875  | 0.960 | 22.230      | 24.380 |
| F | 0.610  | 0.640 | 15.500      | 16.250 |
| G | 0.327  | 0.347 | 8.310       | 8.810  |
| H | 0.900  | 0.910 | 22.860      | 23.110 |
| K | 0.500  | 0.600 | 12.700      | 15.240 |
| L | 0.297  | 0.327 | 7.550       | 8.300  |
| M | 0.070  | 0.100 | 1.780       | 2.540  |
| N | 0.350  | 0.410 | 8.900       | 10.410 |
| P | 0.271  | 0.291 | 6.890       | 7.390  |
| Q | 1.050  | 1.060 | 26.670      | 26.920 |

This drawing is for reference only. Please refer to Digitron's published datasheet.